

Technical Specification.

Input:

Two groups three of phono inputs for component video, also known as YUV or YPbPr.
Two groups of two inputs for left and right audio connections.
Compatible with component (YUV / YPbPr) from domestic video equipment, typically 1V pk-pk. Audio of 1V pk-pk.

Output:

One group of three phono outputs for component video.
One group of two phono outputs for left and right audio.

Switching Bandwidth:

In excess of 80MHz.

Power:

Supplied with a 9V unregulated power supply (12V unloaded). 12V regulated supply or 9V unregulated recommended.
Power consumption <1W.
LED power indicator (internal).

Dimensions:

120x98x45mm.

Technical Support:

By email to technical@js-technology.com.

WARNING!

The Master COMPONENT Controller (MCC) includes a 230V mains adaptor, which supplies 12V dc. All normal precautions should be observed towards electronics devices. Do not spill any liquids on the unit or power supply. Do not attempt to service the unit. Do not cover the unit, do allow for ventilation. Do not use a higher rating of fuse, and only replace with a like fuse. Do not spray the unit with any combustible substances.

In the unlikely event the unit falters for any reason, disconnect from the mains supply and retry after a few minutes. Contact information is provided below.



© 2005.

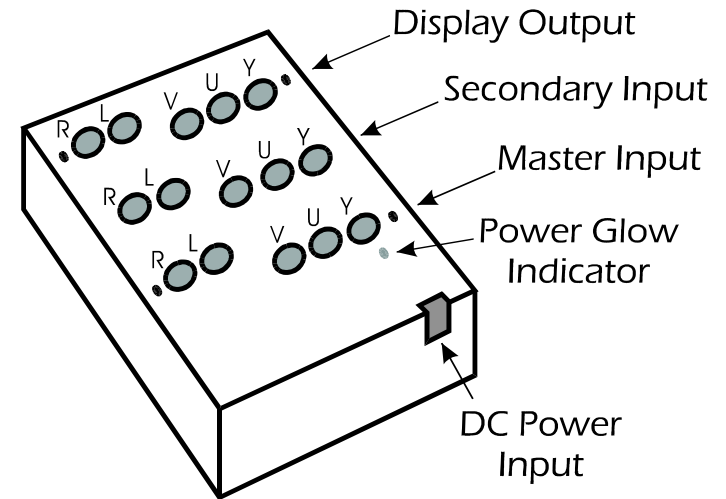
J.S. Technology Ltd.,
APL Centre,
Stevenston Ind. Est.,
Stevenston.
Ayrshire
KA20 3LR

E-mail: technical@js-technology.com Tel: 01294 471468 Fax: 01294 470916

Master COMPONENT Controller.

<http://www.js-technology.com>

Instruction Manual.



- Adds **extra** Component (YUV / YPbPr) input to any system.
- Compatible with **progressive** and non-progressively **interlaced** video.
- **Automatic Priority** switching - No extra remote controls.
- Ideal means to add an **extra input** to your A/V system, especially where only one **COMPONENT** input is available.
- One input for Digital TV, the "**secondary**" video source.
- **Master** input for DVD or games system, the input which has **priority**.
- Supplied with suitable power supply.

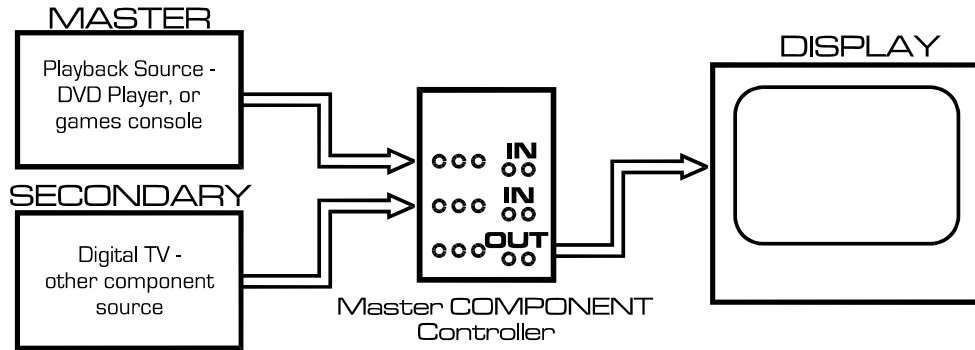
The Master COMPONENT Controller is a fully automatic priority COMPONENT VIDEO switcher designed not to compromise picture detail. Ideal for use with DVDs, satellite, Freeview and games consoles that have component output. **HIGH QUALITY** leads are recommended. The unit requires 9V dc unregulated or 12V dc power to be supplied.



Designed & manufactured in UK/Europe.



How to use the Master COMPONENT Controller.

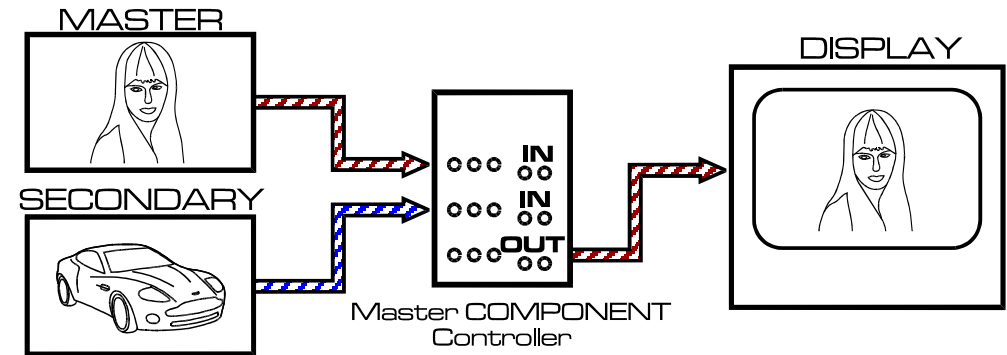


There are four parts to every system using a Master COMPONENT Controller:

1. Master Source, e.g. DVD player or games console.
2. Secondary Source, e.g. satellite TV, Freeview or cable.
3. Display, which could be a normal TV, plasma screen, or projector.
4. The Master COMPONENT Controller (MCC).

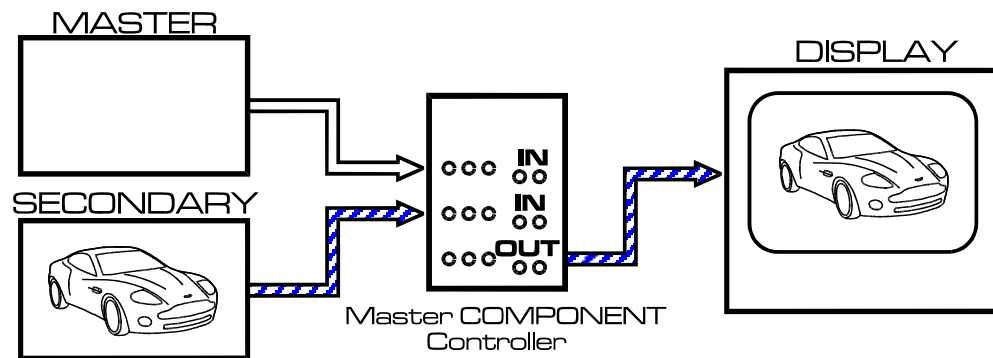
Each video path should be connected using high quality leads from both sources via the Master COMPONENT Controller to the display. Audio should be connected using high quality audio leads. The Master source has priority over and will take control of the display, disabling the Secondary source from being displayed. Simply switching off the Master resumes the Secondary video source to the display.

Master Mode.



When the Master video source is active the Master COMPONENT Controller give priority to this input and allows this to be displayed. The Secondary input can not be displayed until the Master is switched off. In the example above, while the Car is still the secondary source, since the Master is active the Lady is passed through to be displayed. The Lady is given priority.

Default Mode.



In default mode, the Secondary video source has control and is the one which is passed to the display. Above is an example where the Car is the Secondary source and is passed through to be displayed. The Master is not active.

Component Video

Component video is also known as YUV, Y Pb Pr and in some systems as Y Cb Cr. Although similar, component difference signals have a different colour tint and is typically marked as Y, B-Y, R-Y.

The three video connectors on the Master COMPONENT Controller connectors are as follows:

- Green**—Y
- Blue**—U, Pb or Cr
- Red**—V, Pr or Cr

Two audio connectors are:

- Red**—Right Audio
- White**—Left Audio

Locations of these connectors are pictured on the first page of this manual.