

Technical Specification.

Input:

4x HDMI.
Resolutions from 480i to 1080p inclusive.
HDMI 1.3 3D and HDCP compatible.

Output:

2x HDMI.

Remote Control:

IR remote with CR2025 battery (included).

Power:

5V DC power supply, 2A.

Dimensions:

200x100x20mm.

WARNING!

The HDMI 4 to 2 Matrix Switch includes a 230V mains adaptor, which supplies 5V DC. All normal precautions should be observed towards electronics devices. Do not spill any liquids on the unit or power supply. Do not attempt to service the unit. Do not cover the unit, do allow for ventilation. Do not spray the unit with any combustible substances.

In the unlikely event the unit falters for any reason, disconnect from the mains supply and retry after a few minutes. Contact information is provided below.



© 2016.

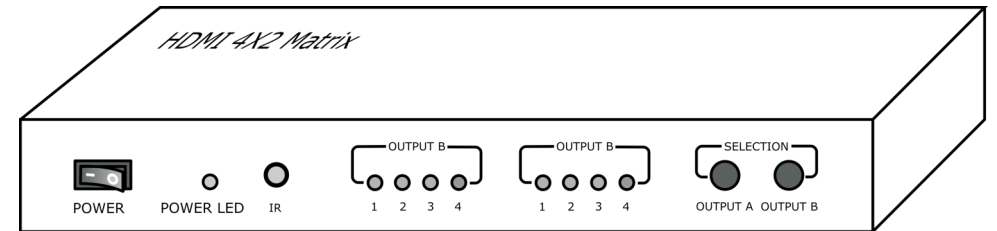
J.S. Technology Ltd.,
APL Centre,
Stevenston Ind. Est.,
Stevenston.
Ayrshire
KA20 3LR

E-mail: technical@js-technology.com Tel: 01294 471468 Fax: 01294 470916

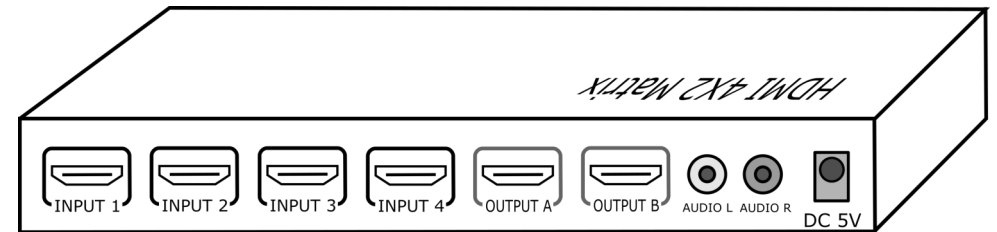
HDMI 4 to 2 Matrix Switch.

<http://www.js-technology.com>

Instruction Manual.



Front



Rear

- Connect four HDMI sources to two HDMI displays.
- Matrix function—Same picture to both screens, or different to each.
- Supports HDMI 1.3 and 3D.
- Supports 12-bit Deep Colour.
- 1080p, 2k and 1920x1200 compatible.
- Gold plated connectors.
- Discrete IR Remote Control.
- HDCP Compatible.
- Optional Stereo Audio Output for one OUTPUT A.

It is recommended that good quality cables / leads be used with the matrix switch. Suitable leads are available from J.S. Technology as well as most good retailers. The unit requires 5V DC supply to operate, a suitable mains adaptor is provided.



HDMI 4 to 2 Matrix Switch.

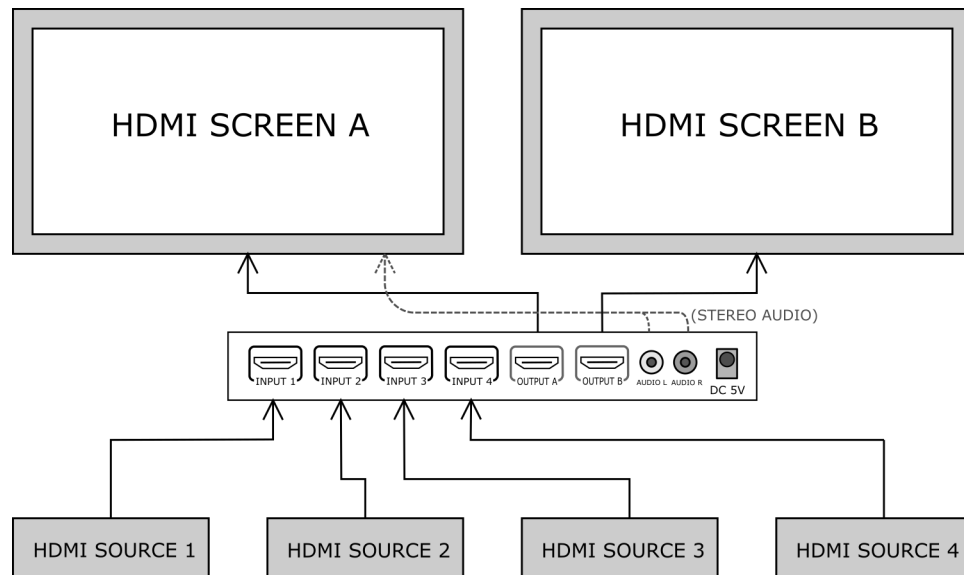
The HDMI 4 to 2 Matrix Switch has four inputs and two outputs. Up to 4 HDMI sources can be connected to the switch with both outputs from the matrix switch then connected to a separate display screen. Once the HDMI leads are connected the power adaptor can be connected to the switch. The power switch on the front of the unit should be toggled to the ON position.

A connection scheme is shown below.

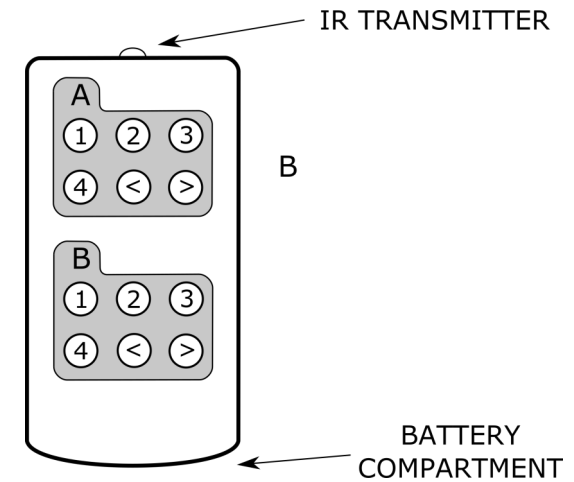
The HDMI 4 to 2 Matrix Switch is a true matrix switcher. As such it allows the HDMI source for each display to be selected independently of the other display. This allows each screen to display a different HDMI source at the same time or both screens to display the same source if required.

The matrix switch will take a moment to negotiate with the HDMI sources and displays when displaying identical sources, which may cause a brief interruption to the picture on both screens.

Stereo audio output is provided for OUTPUT A only. This is an optional connection to the screen or an external amplifier as HDMI will also carry audio to the screen.



Input Selection and Remote Control.



There are two methods to change the input of the HDMI 4 to 2 Matrix Switch. Firstly there is the “OUTPUT A” or “OUTPUT B” button on the front of the device itself which can be pressed to cycle through each input. Secondly via the IR Remote Control as pictured above. The IR Transmitter should be pointed directly at the switch and with a clear path to it.

On initial use of the IR Remote Control the clear plastic keeper should be pulled out from the battery compartment. This is used to ensure that the battery is fresh. The battery compartment can be opened by pulling the battery caddy carefully outward. Replacement battery (CR2025) can easily be swapped in when required.

Trouble Shooting

No picture	Check that all HDMI leads are correctly connected to the HDMI 4 to 2 Matrix Switch, HDMI source and display. Ensure that all HDMI leads are of adequate quality.
No power light	Check that the power adaptor is correctly connected and power switch is at the “ON” position.
No sound	1. Cycle the power on the HDMI source. 2. If still no sound cycle power on HDMI switch.
Remote not working	Change battery in remote control for another.
Poor picture on display	Check HDMI leads and consider replacing if picture still poor.